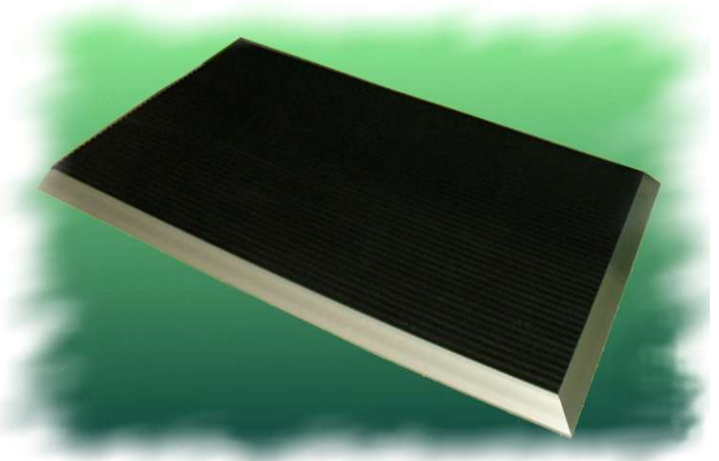
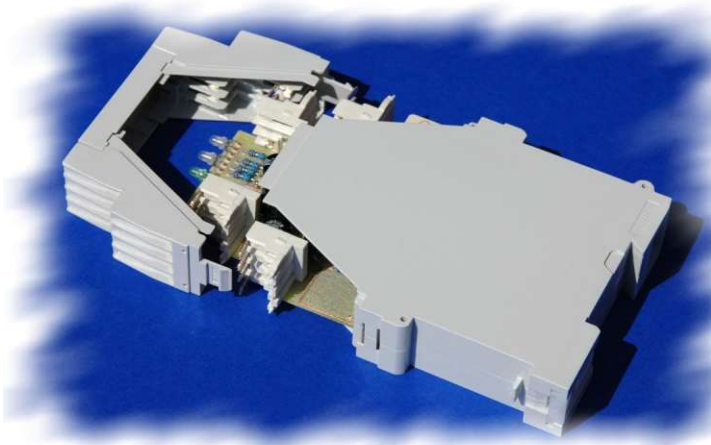


Safety engineering
Product range



Due to our long experience and consequent development , **AM Safety** GmbH offers well-engineered safety technology for the protection of people and machines.

AM Safety provides the perfect protection even for the realisation of difficult safety relevant applications:

- safety controllers
- safety mats
- safety edges
- safety bumpers

Special solutions according to customer specifications can be provided!
Just expect the best, your requirements are our demand!

For our team service and quality are the prerequisites for a good business relationship.

From product development right through to production, all is provided by our own German production facilities.

“Quality - Made in Germany” isn't just a catchword for us.

Our target is to convince you of our performance, so that your confidence turns to conviction.

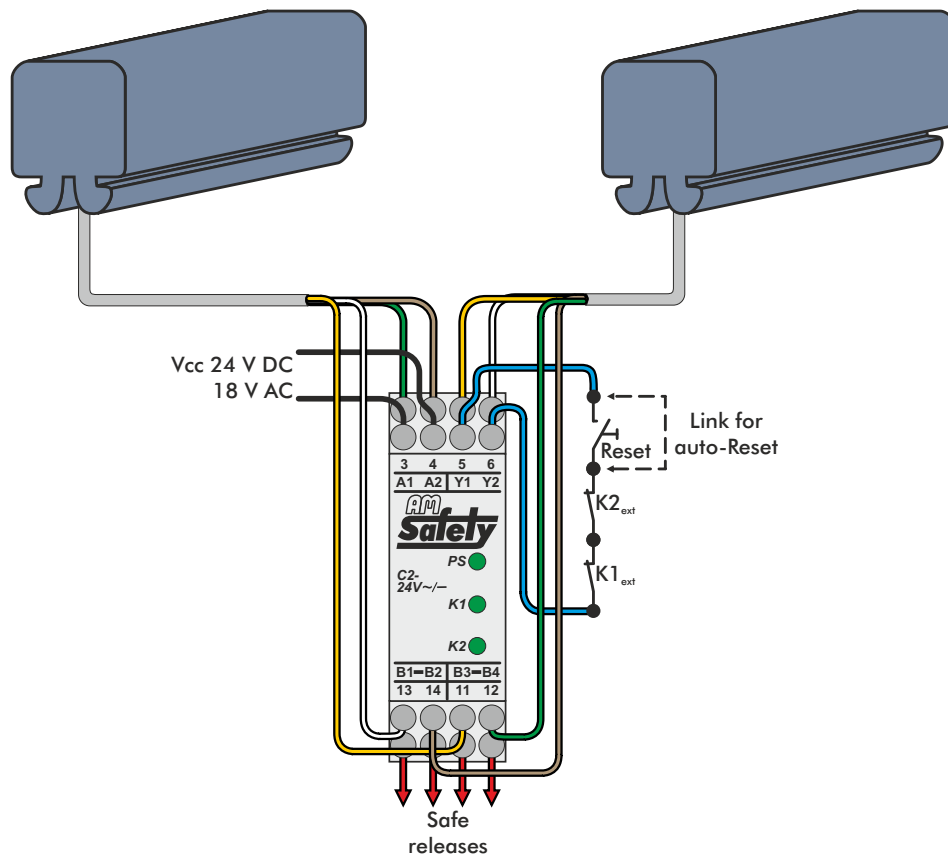
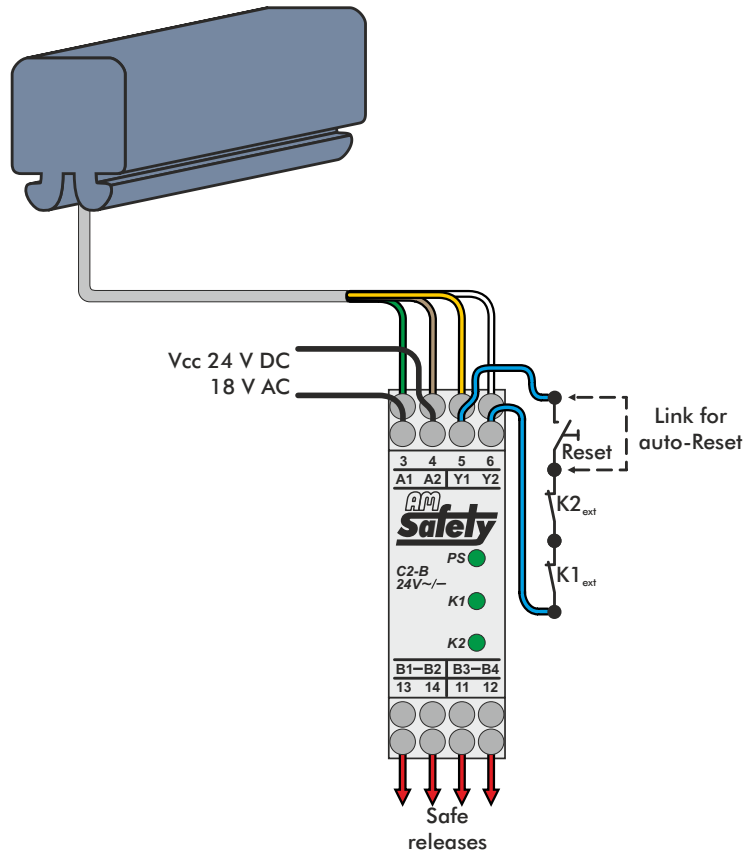
Safety- Controllers

C2-B / C2-M



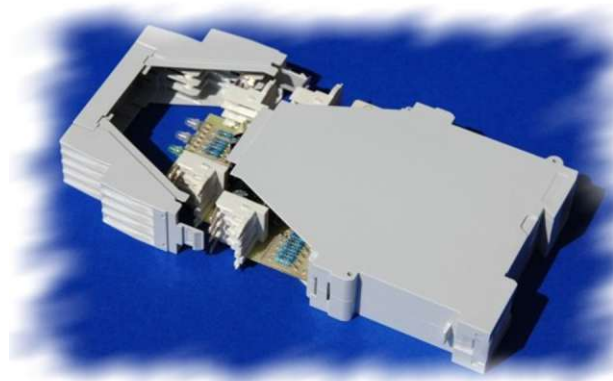
	C2-B	C2-M
Height	121 mm	121 mm
Width	22.5 mm	22.5 mm
Depth	90 mm	90 mm
Fastening	snapped onto standard mounting rail	snapped onto standard mounting rail
Safety-category	Cat. 3 acc. to EN 954-1	Cat. 3 acc. to EN 954-1
Protection	IP40	IP40
Storage temperature	-10° ...+70° C	-10° ...+70° C
Operating temperature	0° ...+55° C	0° ...+55° C
Supply voltage	24 V DC/18 V AC	24 V DC/18 V AC
Power consumption	~2 VA	~2 VA
Outputs	1 x N.O. / 1 x N.C. The output must be fitted with a 3.15A fuse and cannot be operated with mains voltage and low voltage at the same time	2 x N.O. The output must be fitted with a 3.15A fuse and cannot be operated with mains voltage and low voltage at the same time.
Reset	Automatic or manual	Automatic or manual
Switching power	1.000 VA / 200 W max.	1.000 VA / 200 W max.
Switching voltage	250 V, surge level 2	250 V, surge level 2
Switching current	3 A max.	3 A max.
Constant current	2 A	2 A
Response time	< 20 ms	< 20 ms
Weight	220 g	220 g
Endurance	10 x 10 ⁶ cycles	10 x 10 ⁶ cycles

Connection examples C2-B / C2-M



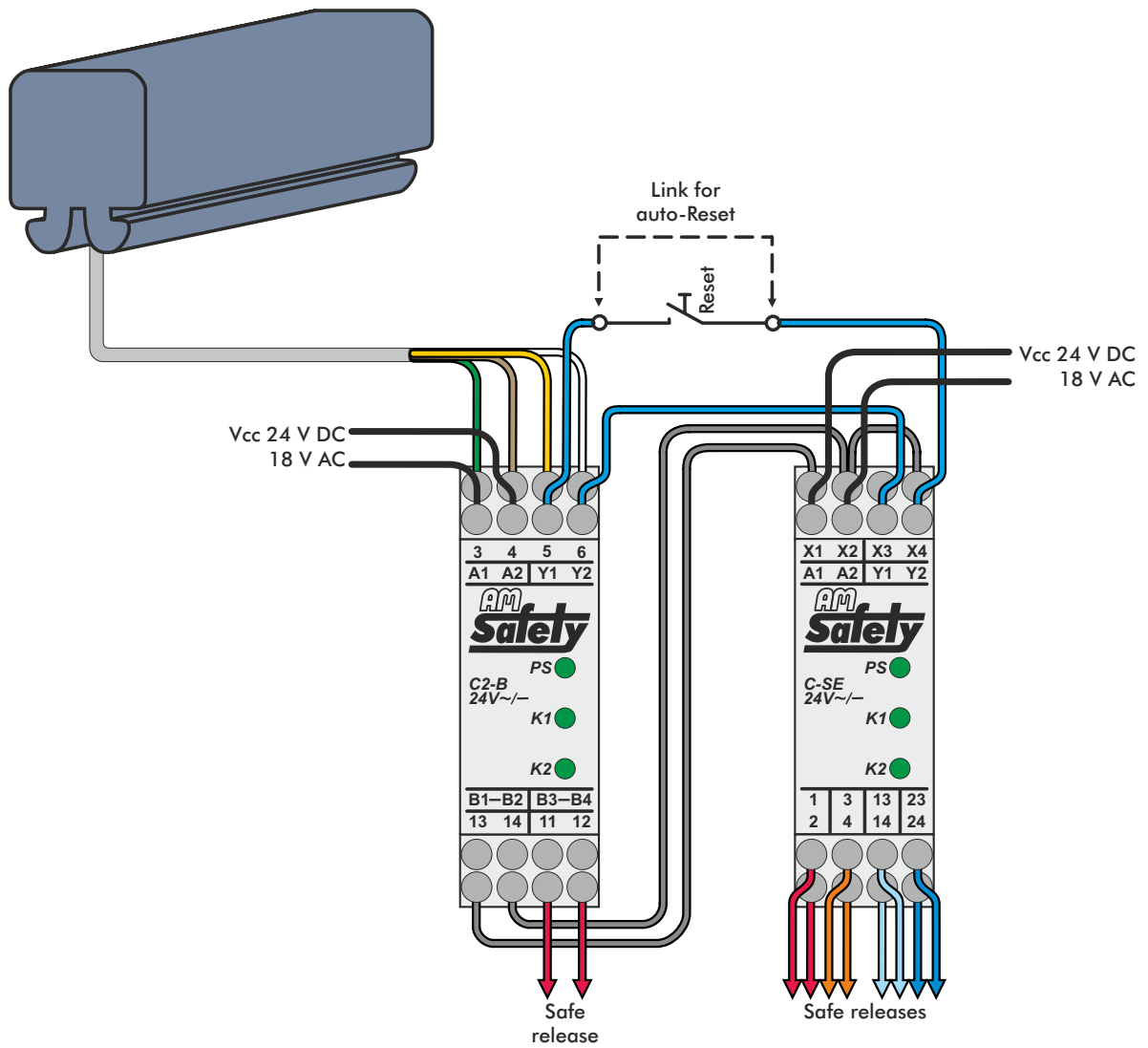
Safety- Controllers

Contact extension C-SE



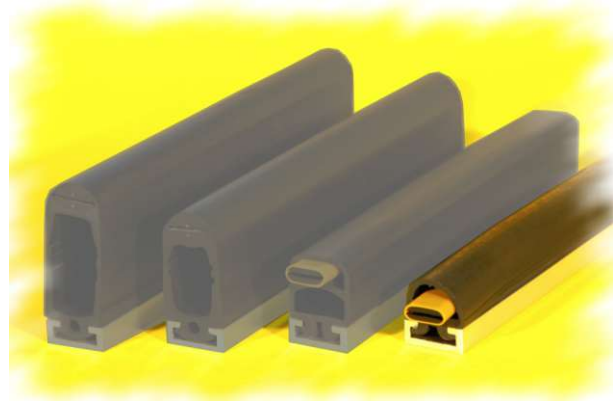
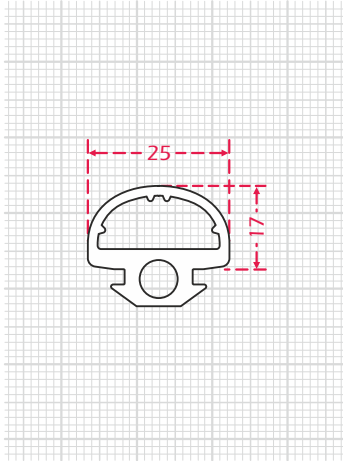
Height	121 mm
Width	22.5 mm
Depth	90 mm
Fastening	snapped onto standard mounting rail
Safety-category	Cat. 3 acc. to EN 954-1
Protection	IP40
Storage temperature	-10° ...+70° C
Operating temperature	0° ...+55° C
Supply voltage	24 V DC/18 V AC
Power consumption	~2 VA
Outputs	3 x N.O. / 1 x N.C. The output must be fitted with a 3.15A fuse and cannot be operated with mains voltage and low voltage at the same time
Reset	Automatic or manual
Switching power	1.000 VA / 200 W max.
Switching voltage	250 V, surge level 2
Switching current	3 A max.
Constant current	2 A
Response time	< 20 ms
Weight	220 g
Endurance	10 x 10 ⁶ cycles

Connection example C-SE



Safety Edges

SE-17



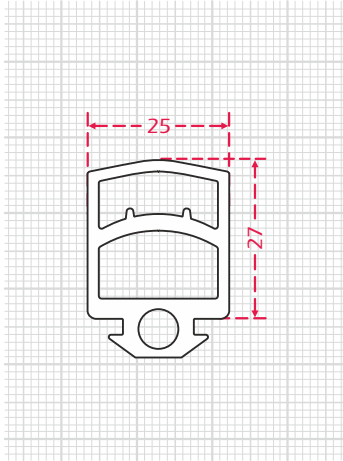
SE-17-N

Height	17 mm
Width	25 mm
Material	NBR caoutchuc
Shore hardness	60 ± 5
Response distance test body Ø 10mm	6 mm
Deformation distance test body Ø 10mm / 150 N	10.5 mm
Overtravel distance test body Ø 10mm	4.5 mm
Response pressure test body Ø 10mm	16 N
Switching range	± 20°
Protection level	IP65
Operating temperature	+5° ... +55° C
Electrical connection	2-sided 2 x 0.25 mm ² 1-sided 4 x 0.25 mm ² Length acc. to customer specifications

A table with the resistance of NBR and EPDM caoutchuc can be supplied!

Safety Edges

SE-27

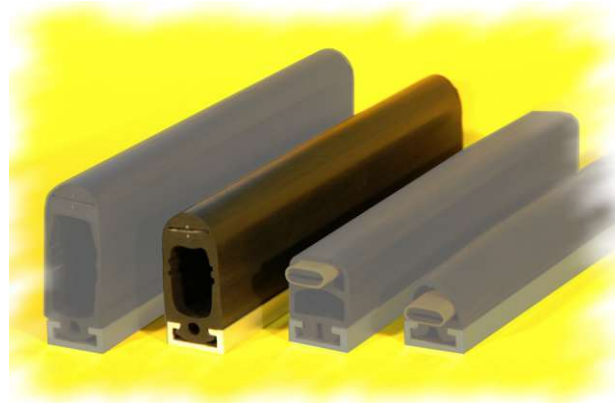
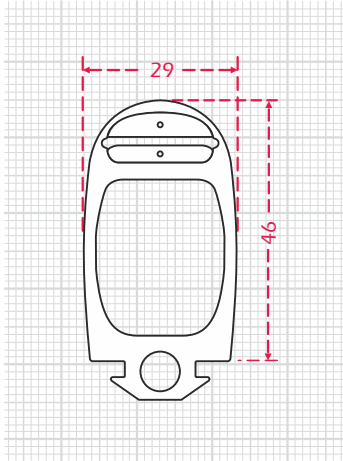


	SE-27-E	SE-27-N
Height	27 mm	27 mm
Width	25 mm	25 mm
Material	EPDM caoutchuc	NBR caoutchuc
Shore hardness	60 ± 5	60 ± 5
Response distance test body Ø 10mm	3 mm	3 mm
Deformation distance test body Ø 10mm / 150 N	17 mm	17 mm
Overtravel distance test body Ø 10mm	14 mm	14 mm
Response pressure test body Ø 10mm	12.5 N	12.5 N
Switching range	± 45°	± 45°
Protection level	IP65	IP65
Operating temperature	-15° ... +55° C	+5° ... +55° C
Electrical connection	2-sided 2 x 0.25 mm ² 1-sided 4 x 0.25 mm ² Length acc. to customer specifications	2-sided 2 x 0.25 mm ² 1-sided 4 x 0.25 mm ² Length acc. to customer specifications

A table with the resistance of NBR and EPDM caoutchuc can be supplied!

Safety Edges

RP-46AT



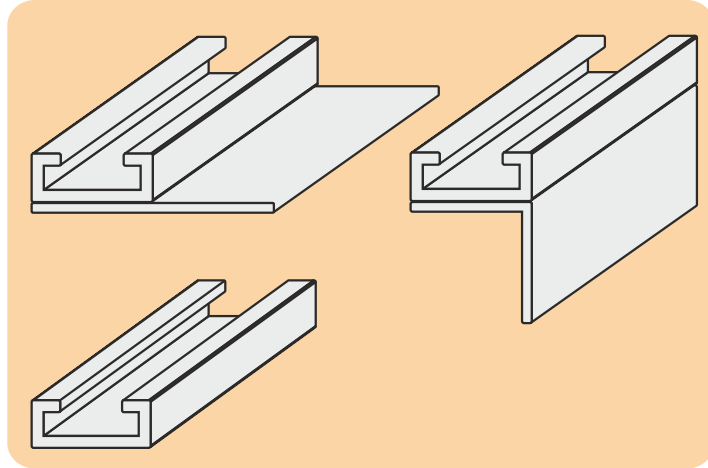
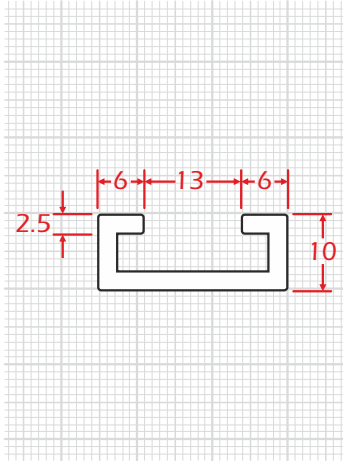
For self assembly available as sold by the yard !

	RP-E-46AT	RP-N-46-AT
Height	46 mm	46 mm
Width	29 mm	29 mm
Material	EPDM caoutchuc	NBR caoutchuc
Shore hardness	60 ± 5	60 ± 5
Response distance test body Ø 10mm	2 mm	2.5 mm
Deformation distance test body Ø 10mm / 150 N	29 mm	28 mm
Overtravel distance test body Ø 10mm	27 mm	25.5 mm
Response pressure test body Ø 10mm	9.8 N	10 N
Switching range	± 45°	± 45°
Protection level	IP65	IP65
Operating temperature	-15° ... +55° C	+5° ... +55° C
Electrical connection	2-sided 2 x 0.25 mm ² 1-sided 4 x 0.25 mm ² Length acc. to customer specifications	2-sided 2 x 0.25 mm ² 1-sided 4 x 0.25 mm ² Length acc. to customer specifications

A table with the resistance of NBR and EPDM caoutchuc can be supplied!

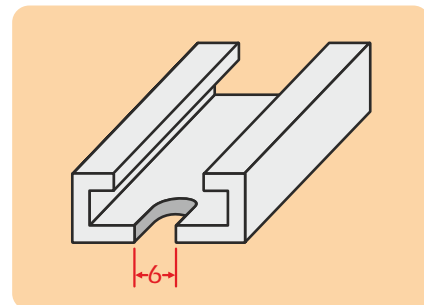
Safety Edges

Aluminium C-Profile



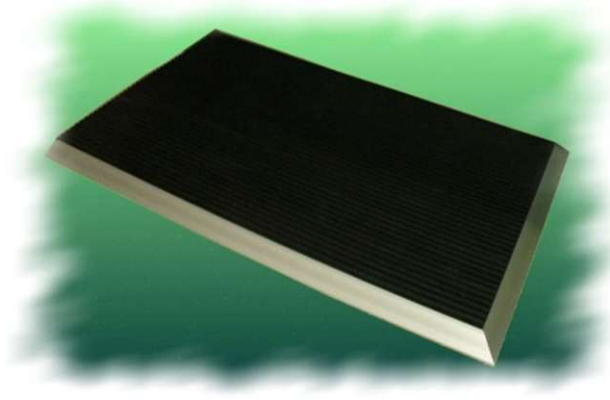
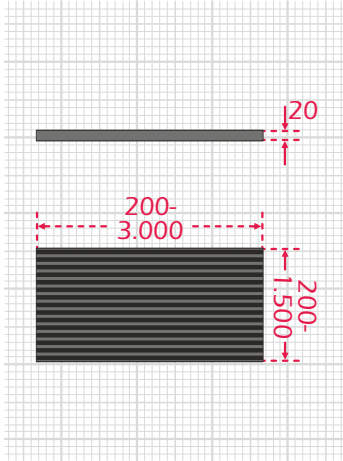
The **AM-Safety** aluminium C-profile is made for our safety edges and can be mounted with screws or rivets at the area to be safeguarded. Straight or angled mounting straps can be provided, according to customer specification.

To ensure that the cable is not bent or crushed our aluminium C-profiles are produced with a 6 mm wide milled groove so that the cable can be applied without damage.



Safety Mats

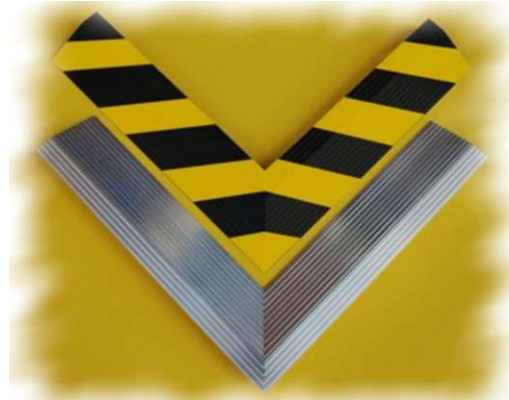
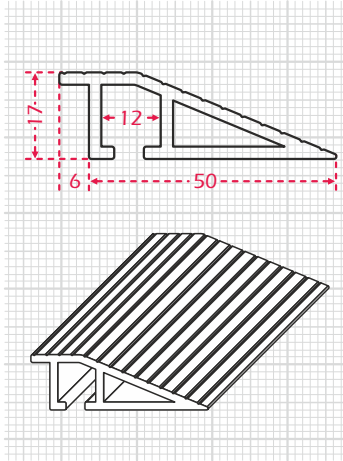
HDM



Height	20 mm, 14 mm without NBR-surface
Measurements	acc. to customer specifications, maximum 3,000 x 1,500 mm
Shape	angled, with recesses, rounded, acc. to customer specifications
Material	Base : PVC Surface : NBR-caoutchuc, others possible on request
Response distance	~4 mm
Response pressure	~120 N
Load-bearing capacity	3.000 N/cm ² max. 50.000 N/dm ²
Protection type	IP66 / 67
Operating temperature	0° ... +55° C
Weight	~24 kg/m ²
Fastening	Aluminium-frame profile or fixing holes
Electrical connection	4-pole M8 plug-in connector or fixed cable outlet, position and length acc. to customer specification
Cable cross-section	4 x 0.25 mm ²
Special features	Safety mat for heavy loads, can be used with vehicles with pneumatic tyres up to a weight of 5,000 kg

Safety Mats Accessories

Frame Profile AF



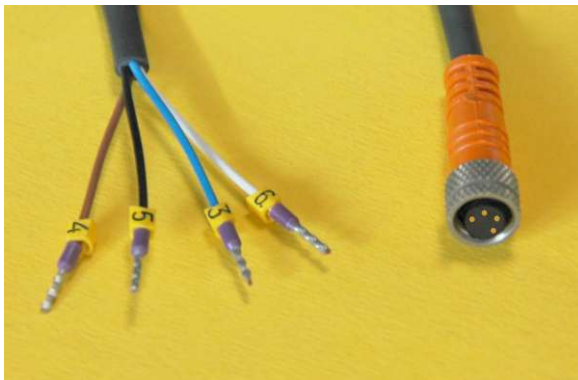
The **AM Safety** frame profile AF is mounted on the edges of the walkable sides of the safety mat. Due to the bevel of the profile the risk of stumbling is successfully prevented. The frame profile is produced as specified, mitred and step-drilled.

Using the step-drill bores on the profile AF, it is fastened to the ground which at the same time serves as a fixing for the safety mat.

For an improved optical identification of the dangerous area the frame profile can be colour coded.

We provide lengths up to 6,000 mm for upgrades or for self-made shapes and sizes..

M8-plug-in connector FC

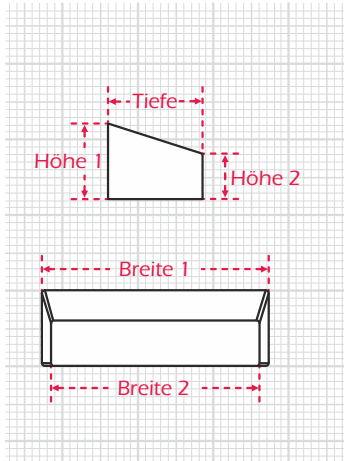


The 4-pole plug-in connector FC is the standard connection for **AM Safety** safety mats. If the connection cable is damaged this can be exchanged without problems without having to de-install the safety mat for repair.

The plug-in connector is available with a completely prepared 4-wire lead or without lead for self-fixing

Safety Bumpers

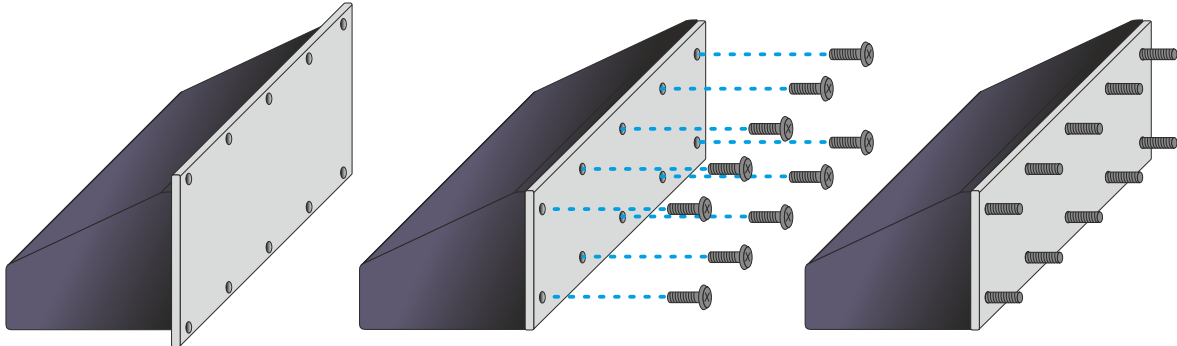
SB-P



Height	1500 mm max. / acc. to width/depth ratio
Width	3000 mm max. / acc. to height/depth ratio
Depth	acc. to width/height ratio
Shape	as required
Material	Polyether foam
Surface	<ol style="list-style-type: none"> 1. Covered with black polyurethane, other colours on request, also yellow warning stripes, logos and pictograms 2. Silver coloured, flame resistant, glass fibre reinforced cover (Temperature range on request) 3. Artificial leather cover
Transducer	transducer approx. 15 mm behind the activation area
Response distance	approx. 20 mm
Response pressure	approx. 80 N (Test body Ø 80 mm)
Deformation distance	approx. 2/3 of the depth
Degree of protection	IP 56
Fastening	4 mm aluminium console with threaded bolts, thread bores or through holes - acc. to customer specification -
Electrical connection	2 x 2-wire cable 2 x 0.25 mm ² 1 x 4-wire cable 4 x 0.25 mm ² - Other connections on request -

Safety Bumpers

SB-P



The fixing of the **AM Safety** bumper can be either with through holes, thread bores or threaded bolts.

When using thread bores, the aluminium console will protrude at least 20 mm on at least one side of the bumper body.

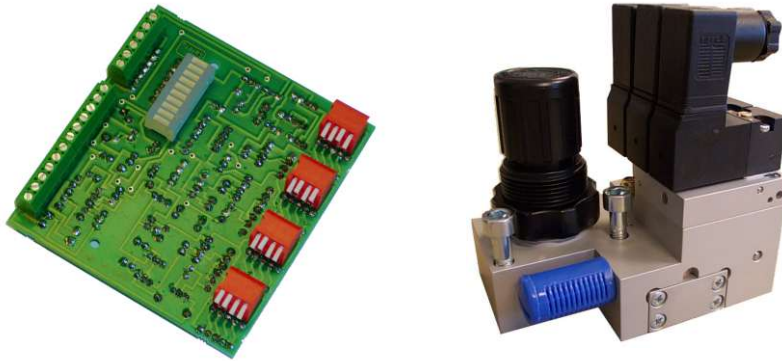
The position and size of the through holes, thread bores and threaded bolts can be determined by the customer.



Of course the pressure sensitive bumper area can be fitted with warning stripes or the total area with your company logo, pictograms or warning notes.

For your company logo we would require a template on a 1:1 scale.

Klappen-Steuerung AMVC-IV



Various industries use valves to stop, control or dose medium flow.

Installation can be on containers, under silos, in pipes, in product ducts or in other forwarding units.

Strongly closing or abrasive media (i.e. granulates) as well as media with large adhesive force (powder), which can accumulate between valve disc and seal, can lead to excessive wear on the seal and to undesirable leaks.

Time consuming plant stillstands are the result.

For this reason valves with inflatable seal are used.

With these valves the wear is reduced to a minimum and even when signs of wear and tear on the seal occur, the safe function is guaranteed for a very long period of time.

The electro pneumatic control **AMVC-IV MK3** enables the convenient and process reliable use of valves with inflatable seal.

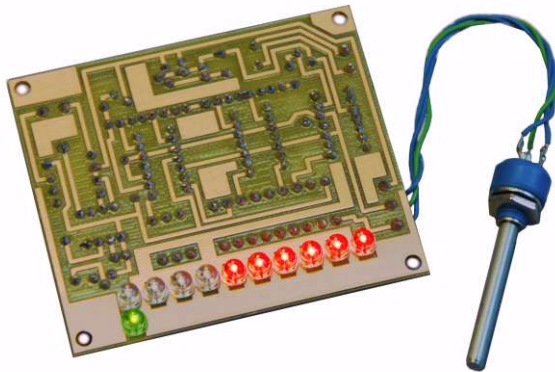
By using the **AMVC-IV** control the life-span of the seal is increased.
In addition, due to the use of a vacuum generator the adhesion of medium on the seal is largely prevented.

The electro pneumatic control **AMVC-IV MK3** is only suitable and usable for valves with inflatable seals.

The **AMVC-IV MK3** control is designed for pivot driven valves with interface (VDI/VDE 3845).

For further information please download the [AMVC-IV MK3](#) manual.

Positioning indicator SD-AN-1.3



The LED positioning indicator was designed to replace the "open/close" indicator on valves.
The advantages of this kind of visualisation are increased precision as well as very good readout in dark environments.

The indication is realised via 10 light emitting diodes which are driven by 10 Kohms variable resistor or a sensor with 0 to 10 volts output.

The position indicator SD-AN 1.3 will be delivered as a circuit board with screwable terminals

